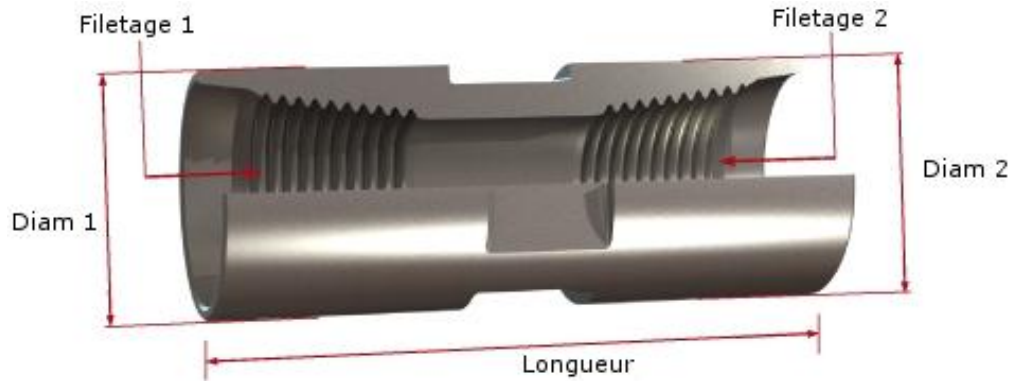




## Raccords et Adaptateurs

### Femelle X Femelle

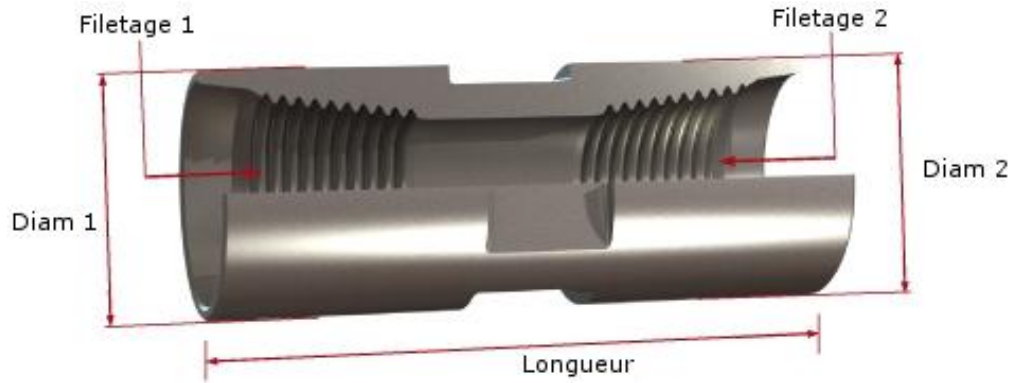


REF	Filet 1	Filet 2	Ø Ext 1 mm	Ø Ext 2 mm	Longueur mm	Plats
FOR 11-1098	ACT(NWY)	2 3/8" Reg	71.00	76.00	205.00	y
FOR 11-1101	RD 50-6	2 3/8" Reg	76.00	76.00	220.00	y
FOR 11-1102	RD 50-6	RD 70-4	89.00	89.00	200.00	y
FOR 11-1103	2 3/8" Reg	RD 70-4	89.00	89.00	190.00	y
FOR 11-1104	3 1/2" Reg	RD 70-4	114.00	89.00	180.00	y
FOR 11-1105	RD 70-6	2 3/8" Reg	89.00	89.00	200.00	y
FOR 11-1106	2 3/8" Reg	2 3/8" Reg	76.00	76.00	200.00	y
FOR 11-1107	2 3/8" Reg	2 3/8" Reg	89.00	89.00	200.00	y
FOR 11-1108	2 3/8" Reg	2 3/8" IF	89.00	89.00	220.00	y
FOR 11-1109	2 3/8" Reg	2 7/8" Reg	89.00	89.00	225.00	y
FOR 11-1110	2 3/8" Reg	2 7/8" IF	89.00	114.00	220.00	y
FOR 11-1112	2 3/8" Reg	3 1/2" Reg	89.00	114.00	210.00	y
FOR 11-1113	2 3/8" IF	2 3/8" IF	89.00	89.00	240.00	y
FOR 11-1114	2 3/8" IF	2 7/8" Reg	89.00	89.00	245.00	y
FOR 11-1115	2 3/8" IF	3 1/2" Reg	89.00	114.00	200.00	y
FOR 11-1116	2 7/8" Reg	2 7/8" IF	89.00	114.00	220.00	y
FOR 11-1117	2 7/8" Reg	3 1/2" Reg	89.00	114.00	230.00	y
FOR 11-1118	2 7/8" Reg	3 1/2" IF	89.00	114.00	230.00	y
FOR 11-1119	2 7/8" Reg	4 1/2" Reg	89.00	146.00	240.00	y
FOR 11-1120	2 7/8" Reg	4 1/2" FH	89.00	146.00	240.00	y
FOR 11-1121	2 7/8" IF	3 1/2" Reg	114.00	114.00	220.00	y
FOR 11-1122	2 7/8" IF	NC 35	114.00	114.00	220.00	y
FOR 11-1123	4 1/2" Reg	2 7/8" IF	146.00	114.00	230.00	y
FOR 11-1124	6 5/8" Reg	2 7/8" IF	200.00	114.00	270.00	y

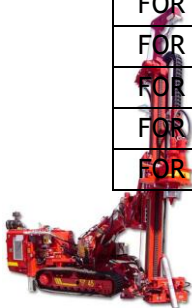




## Femelle X Femelle

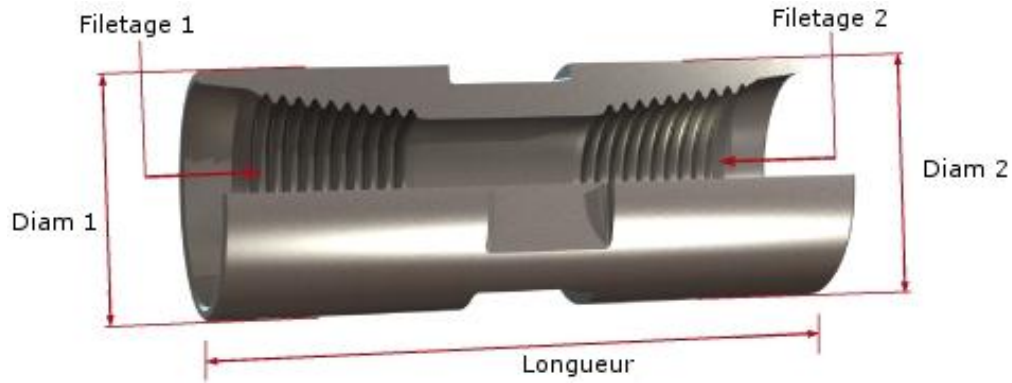


REF	Filet 1	Filet 2	Ø Ext 1 mm	Ø Ext 2 mm	Longueur mm	Plats
FOR 11-1128	3 1/2" Reg	NC 35	114.00	114.00	220.00	y
FOR 11-1129	3 1/2" Reg	3 1/2" Reg	114.00	114.00	220.00	y
FOR 11-1130	3 1/2" Reg	3 1/2" IF	127.00	127.00	250.00	y
FOR 11-1131	3 1/2" Reg	4 1/2" Reg	114.00	146.00	240.00	y
FOR 11-1132	3 1/2" Reg	4 1/2" IF	115.00	146.00	240.00	y
FOR 11-1133	3 1/2" Reg	4 1/2" FH	115.00	146.00	240.00	y
FOR 11-1134	6 5/8" Reg	3 1/2" Reg	197.00	120.00	280.00	y
FOR 11-1135	NC 35	NC 35	114.00	114.00	240.00	y
FOR 11-1136	NC 35	3 1/2" IF	114.00	120.00	240.00	y
FOR 11-1137	NC 35	4 1/2" Reg	114.00	146.00	240.00	y
FOR 11-1138	NC 35	4 1/2" FH	114.00	146.00	240.00	y
FOR 11-1139	NC 35	6 5/8" Reg	114.00	197.00	260.00	y
FOR 11-1140	3 1/2" IF	3 1/2" IF	120.00	146.00	240.00	y
FOR 11-1141	3 1/2" IF	4 1/2" Reg	120.00	146.00	240.00	y
FOR 11-1142	6 5/8" Reg	3 1/2" IF	197.00	115.00	265.00	y
FOR 11-1143	7 5/8" Reg	3 1/2" IF	225.00	120.00	320.00	y
FOR 11-1144	4 1/2" Reg	4 1/2" IF	158.00	158.00	300.00	y
FOR 11-1145	4 1/2" Reg	4 1/2" FH	146.00	146.00	300.00	y
FOR 11-1146	4 1/2" Reg	6 5/8" Reg	146.00	193.00	320.00	y
FOR 11-1147	4 1/2" FH	6 5/8" Reg	146.00	197.00	320.00	y
FOR 11-1148	6 5/8" Reg	6 5/8" Reg	200.00	200.00	300.00	y
FOR 11-1185	2 3/8" Reg	2 3/8" Reg	76.00	76.00	200.00	n
FOR 11-1210	4 1/2" Reg	4 1/2" Reg	146.00	146.00	300.00	y
FOR 11-1213	4 1/2" Reg	2 3/8" Reg	146.00	90.00	225.00	y





## Femelle X Femelle



REF	Filet 1	Filet 2	Ø Ext 1 mm	Ø Ext 2 mm	Longueur mm	Plats
FOR 11-1269	2 3/8" Reg	2 3/8" IF	89.00	89.00	700.00	y
FOR 11-1296	3 1/2" Reg	RD 50-6	114.00	76.00	180.00	y
FOR 11-1300	3 1/2" IF	2 3/8" Reg	120.00	89.00	230.00	y
FOR 11-1312	3 1/2" Reg	3 1/2" IF	127.00	127.00	260.00	y
FOR 11-1313	3 1/2" Reg	4 1/2" Reg	140.00	140.00	240.00	y
FOR 11-1318	2 3/8" Reg	2 3/8" Reg	89.00	89.00	380.00	y
FOR 11-1323	4 1/2" Reg	2 3/8" IF	146.00	89.00	225.00	y
FOR 11-1331	6 5/8" Reg	2 3/8" IF	197.00	89.00	351.00	y
FOR 11-1333	2 3/8" Reg	HOLMAN	76.00	76.00	190.00	y
FOR 11-1337	6 5/8" Reg	4 1/2" IF	197.00	177.00	300.00	y
FOR 11-1348	2 3/8" IF	2 7/8" Reg	89.00	89.00	240.00	y
FOR 11-1398	RD 50-6	3 1/2" Reg	76.00	115.00	200.00	y
FOR 11-1449	ACT(NWY)	2 7/8" Reg	71.00	89.00	233.00	y
FOR 11-1450	2 3/8" Reg	2 3/8" Reg	89.00	89.00	420.00	y
FOR 11-1465	2 3/8" Reg	N"	76.00	76.00	205.00	y
FOR 11-1491	3 1/2" Reg	3 1/2" Reg	127.00	127.00	260.00	y
FOR 11-1500	4 1/2" Reg	RD 90-4	146.00	127.00	240.00	y
FOR 11-1501	2 3/8" Reg	3 1/2" Reg	89.00	114.00	250.00	y
FOR 11-1506	ACT(NWY)	2 3/8" IF	71.00	89.00	220.00	y
FOR 11-1519	3 1/2" Reg	2 3/8" IF	114.00	89.00	609.00	y
FOR 11-1520	3 1/2" Reg	3 1/2" Reg	114.00	114.00	355.00	y
FOR 11-1556	2 3/8" Reg	2 3/8" Reg	89.00	89.00	203.00	y
FOR 11-1567	RD 70-4	RD 70-4	89.00	89.00	208.00	y
FOR 11-1574	2 7/8" IF	2 7/8" IF	114.00	114.00	220.00	y

